

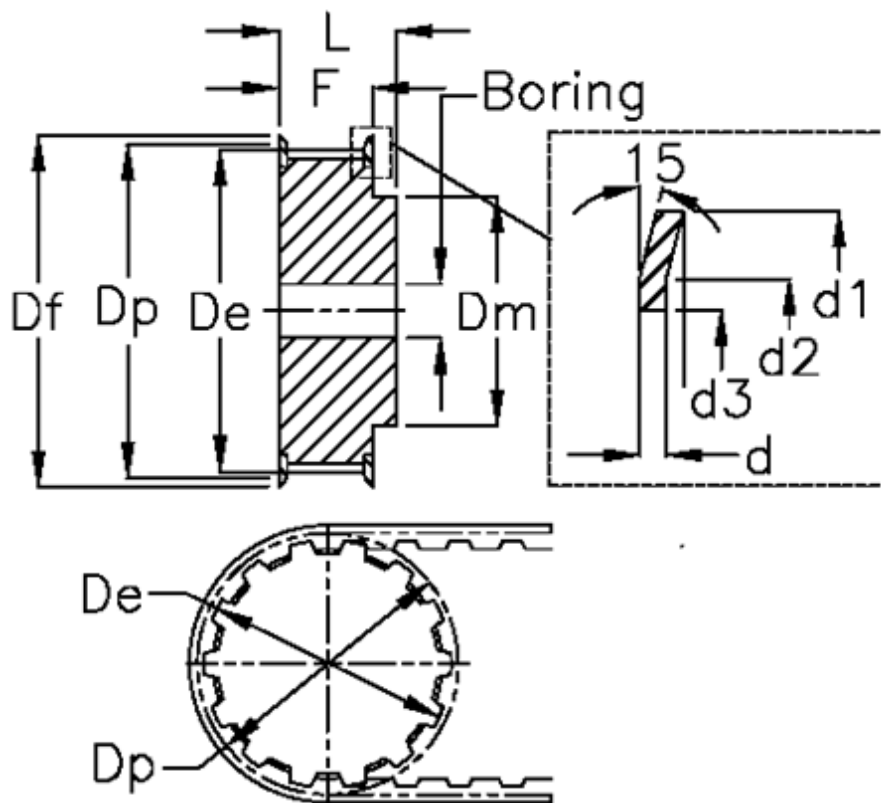
Data Sheet



Article number: 604140024015

Description: Timing belt pulley with hub
HTD 24 3M 15

Measures



Bore = 6	Dp = 22.92
d = 0.5	F = 19.5
d1 = 25	Flange type = F08
d2 = 21.5	L = 26
d3 = 15	Tooth number = 24
De = 22.16	Type = 3M
Df = 25	Weight = 0.02
Dm = 13	Width = 15